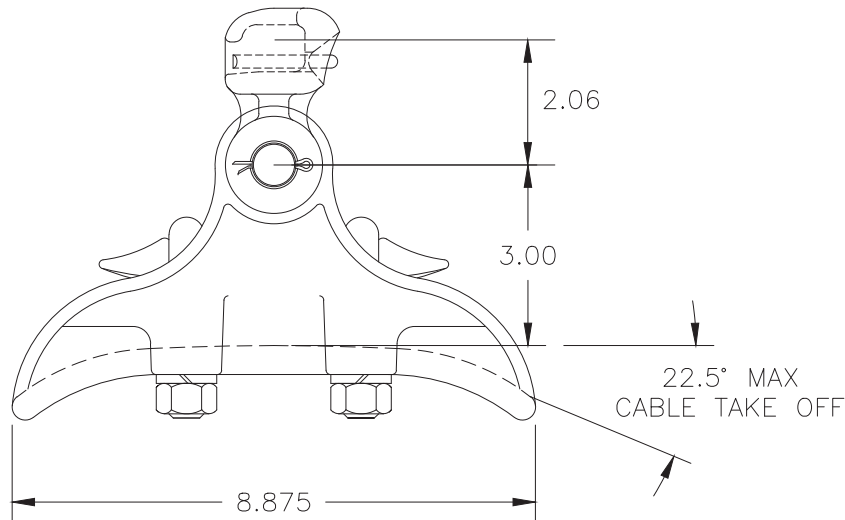
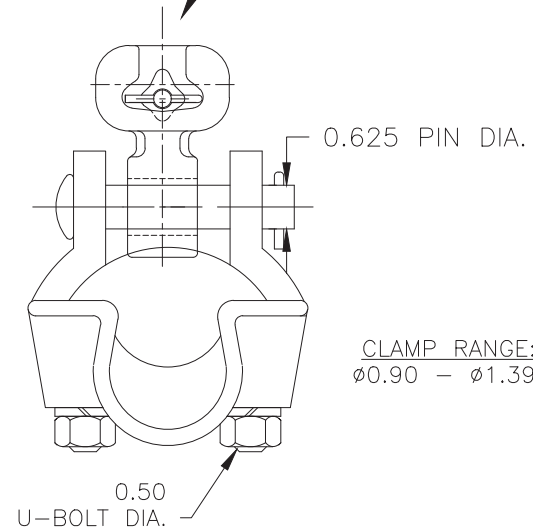


SHIP ASSEMBLED




ANSI C-29.2  
CLASS 52-3 OR 52-5 SOCKET



CLAMP RANGE:  
ø0.90 - ø1.39

NOTES:

1. MATERIAL: CLAMP BODY & KEEPER: ALUMINUM ALLOY  
SOCKET: GALVANIZED DUCTILE IRON  
COTTER PIN: STAINLESS STEEL  
CLEVIS PIN, U-BOLTS, NUTS, WASHERS: GALV. STEEL
2. DIMENSIONS IN INCHES.
3. WEIGHT: 4.90 LBS.
4. 25,000 LBS. ULTIMATE STRENGTH
5. FOR HEX HEAD BOLT AND HEX JAM NUT INSTEAD OF CLEVIS PIN  
ADD BNK SUFFIX TO CAT. NO. (HAS139SBNK)

EC #	DATE	CHG BY	RESP ENG	ANDERSON*	 <b>HUBBELL® POWER SYSTEMS</b>
DESC OF DWG: --- --- --- REASON (S) FOR CHANGE: -- DISPOSITION OF MAT'L: --				<small>CONFIDENTIAL: THIS DRAWING AND ITS CONTENTS ARE CONFIDENTIAL AND THE EXCLUSIVE PROPERTY OF HUBBELL POWER SYSTEMS. NO PUBLICATION, DISTRIBUTION OR COPIES MAY BE MADE WITHOUT THE WRITTEN CONSENT OF HUBBELL POWER SYSTEMS. HUBBELL POWER SYSTEMS UNPUBLISHED. ALL RIGHTS RESERVED UNDER THE COPYRIGHT LAWS.</small>	
SIZE	DWG NO.	CAT / PART / ASSY NO.		REV	
B	CUTSHEET	HAS-139-S		B	
DO NOT SCALE THIS DRAWING	DRN BY PTB	DATE 6/14/12	SHEET 1 OF 1		